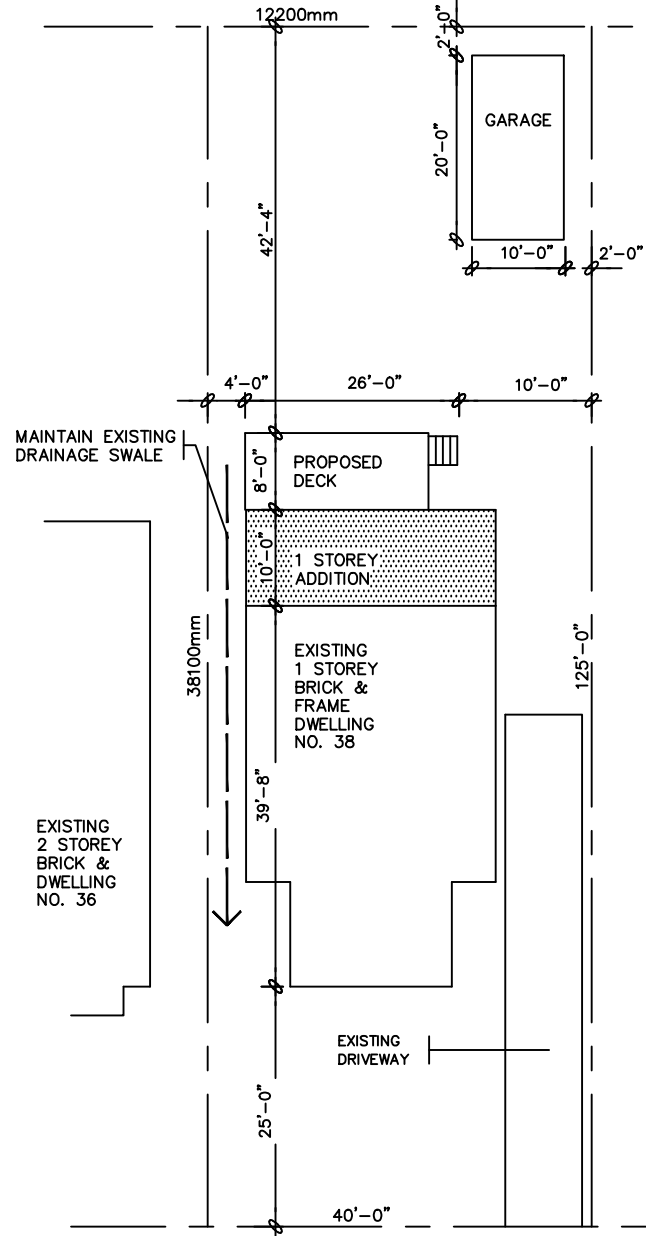
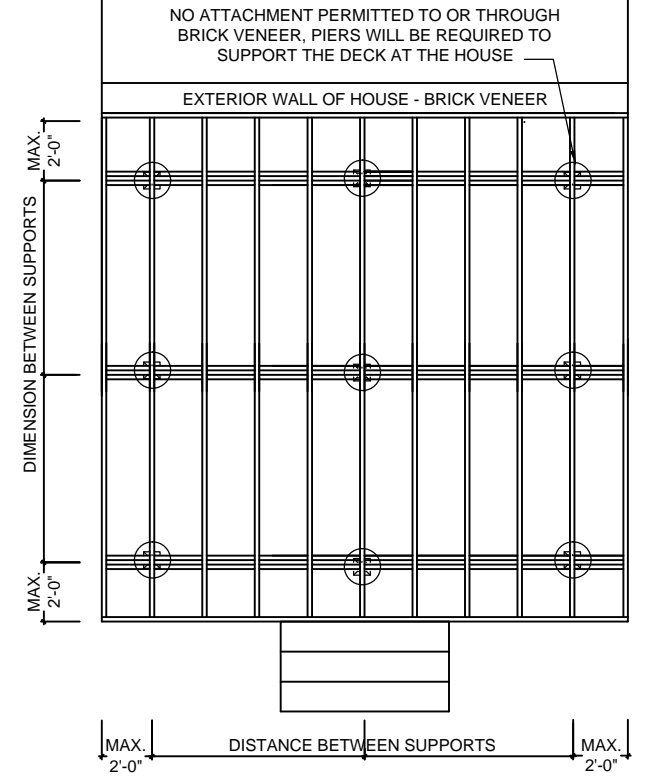


PLAN VIEW

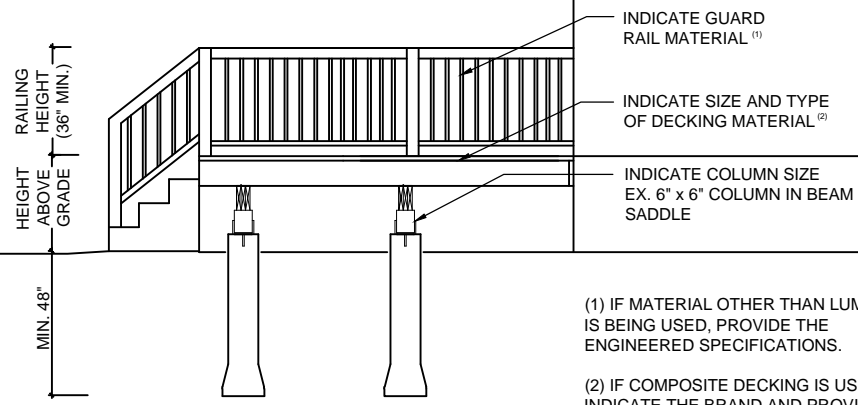


SITE PLAN



PLAN VIEW

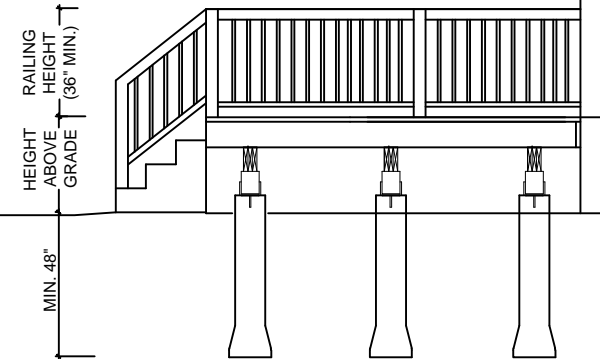
BRICK VENEER



(1) IF MATERIAL OTHER THAN LUMBER IS BEING USED, PROVIDE THE ENGINEERED SPECIFICATIONS.

(2) IF COMPOSITE DECKING IS USED, INDICATE THE BRAND AND PROVIDE THE CCMC SPECIFICATIONS.

ELEVATION



ELEVATION

BRICK VENEER